

# **CM1200C Parts List**

## **Table of Contents**

**Cabinet**

**Refrigeration**

**Air Cooled**

**Water Cooled**

**Water System**

**Control Box**

**Wiring Diagrams**

## CM1200C

# THE PARTS ILLUSTRATIONS AND PARTS LISTS

### GENERAL

This section contains the Parts illustrations and the Parts List for each of the major assemblies of the Model CM1200C Cuber.

A *No Number* designation, when used in the Part Number Column indicates the unit is not available from SCOTSMAN as an assembly. This designation is used only for the convenience and clarity of division in cataloging.

### HOW TO ORDER PARTS OR ASSEMBLIES

When ordering parts or assemblies, to avoid costly delays and errors in shipment, give the part number, the complete description shown in the list, and the quantities of each part or assembly required. Also include the Model name, the serial number of the icemaker for which the part is required, and for parts which require color matching, the color of the Cabinet.

All Part Numbers have TEN DIGITS (spaces), required for use in the Computer System. BE SURE to fill in ALL SPACES in the CATALOG NUMBER column, on the Parts Order form.

Enter the QUANTITY of the Parts ordered, in the last digit column under the QUANTITY column heading, the one under the small 55 number, for parts from 1 thru 9. For 10 or more parts use two columns.

To be sure you receive the proper parts in the proper quantities. ALWAYS use the PART NUMBERS and DESCRIPTIONS given in the Parts Manuals.

Write an order for the Part. (Use SCOTSMAN Parts Order Form DN103). Be sure to include:

- Distributor Name.
- (Use for DROP-SHIP order ONLY.)
- Distributor Purchase Order Number.
- Carrier.
- How shipped (Truck, Rail, UPS, etc.)
- Date ordered.
- Part Catalog Number. (Use full TEN digits (spaces) listed in Parts Manual, including dashes between numbers.)
- Description - as listed in Parts Manual.
- Quantity - number of parts ordered. (Use far right column.)

## CM1200C

# WIRING DIAGRAMS

This section is provided as an aid in understanding the electrical circuitry of the modular cuber:

### ////////////////////// **WARNING** ////////////////////////

**When conducting a continuity check of the modular cuber:**

1. Disconnect the main power source.
2. DO NOT use an incandescent lamp or jumper wire, conduct all tests with a volt-ohm-meter.

////////////////////////////////////

The wiring diagrams in this Section are:

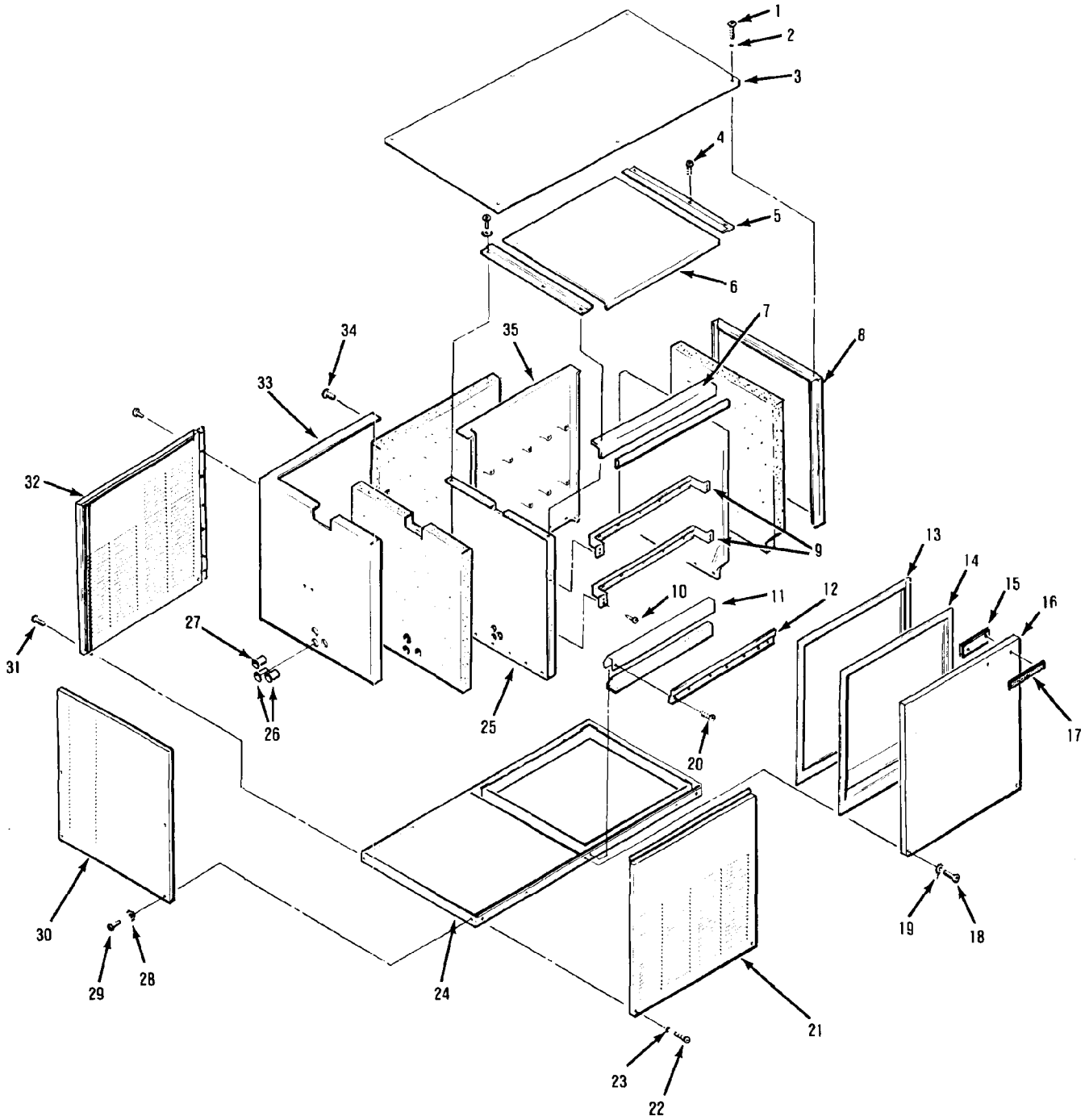
- CM1200-9C 115/208-230/60/3 - Air-Cooled
- CM1200-9C 115/208-230/60/3 - Water-Cooled
- CM1200-31C 115/208-230/60/1 - Air-Cooled
- CM1200-31C 115/208-230/60/1 - Water-Cooled

**CM1200C**  
**THE PARTS ILLUSTRATIONS AND PARTS LISTS**

**CABINET ASSEMBLY**

| <b>ITEM NUMBER</b> | <b>PART NUMBER</b> | <b>DESCRIPTION</b>                    |
|--------------------|--------------------|---------------------------------------|
| 1                  | 03-1404-09         | (6) Screws, 8 x 1/2                   |
| 2                  | 03-1407-03         | (2) Washers                           |
| 3                  | A30744-001         | Panel Top (Enamel)                    |
|                    | A30744-002         | Panel Top (Stainless Steel)           |
| 4                  | 03-1404-10         | Screw, 8 x 1/2 (Stainless Steel)      |
| 5                  | <i>No Number</i>   | Liner Guide                           |
| 6                  | A30329-001         | Liner Top                             |
| 7                  | <i>No Number</i>   | Upper Front Brace                     |
| 8                  | A29164-003         | Right Panel (Enamel)                  |
|                    | A29164-002         | Right Panel (Stainless Steel)         |
| 9                  | A29204-001         | Brace Front                           |
| 10                 | 03-1404-10         | Screw 8 x 1/2 (Stainless Steel)       |
| 11                 | 02-2532-01         | Liner Cap                             |
| 12                 | <i>No Number</i>   | Liner Guide                           |
| 13                 | 13-0595-00         | Gasket — Foam                         |
| 14                 | 02-2795-01         | Liner Front Panel                     |
| 15                 | 03-0271-00         | (2) Speed Clip                        |
| 16                 | A30743-001         | Panel, right front (Enamel)           |
|                    | A30743-001         | Panel, right front (Stainless Steel)  |
| 17                 | 15-0711-01         | Emblem                                |
| 18                 | 03-1404-19         | (2) Screws, 8 x 1                     |
| 19                 | 03-1417-03         | (2) Washers                           |
| 20                 | 03-1404-10         | (8) Screws, 8 x 1/2 (Stainless Steel) |
| 21                 | A30742-001         | Panel, left front (Enamel)            |
|                    | A30742-002         | Panel, left front (Stainless Steel)   |
| 22                 | 03-1404-19         | (2) Screws 8 x 1                      |
| 23                 | 03-1417-03         | (2) Washers                           |
| 24                 | <i>No Number</i>   | Base Fab Assembly                     |
| 25                 | 02-2533-01         | Liner Left Side                       |
| 26                 | <i>No Number</i>   | (4) Bushing                           |
| 27                 | <i>No Number</i>   | (2) Bushing                           |
| 28                 | 03-1407-03         | (2) Washer                            |
| 29                 | 03-1404-10         | (4) Screws 8 x 1/2 (Stainless Steel)  |
| 30                 | A29168-003         | Panel, left side (Enamel)             |
|                    | A29168-002         | Panel, left side (Stainless Steel)    |
| 31                 | 03-1404-09         | (4) Screws, 8 x 1/2                   |
| 32                 | A30604-001         | Panel, left back                      |
| 33                 | <i>No Number</i>   | Retainer                              |
| 34                 | 03-1404-09         | (4) Screws 8 x 1/2                    |
| 35                 | 02-2531-01         | Liner back                            |

**CM1200C**  
**THE PARTS ILLUSTRATIONS AND PARTS LISTS**



# CM1200C

## THE PARTS ILLUSTRATIONS AND PARTS LISTS

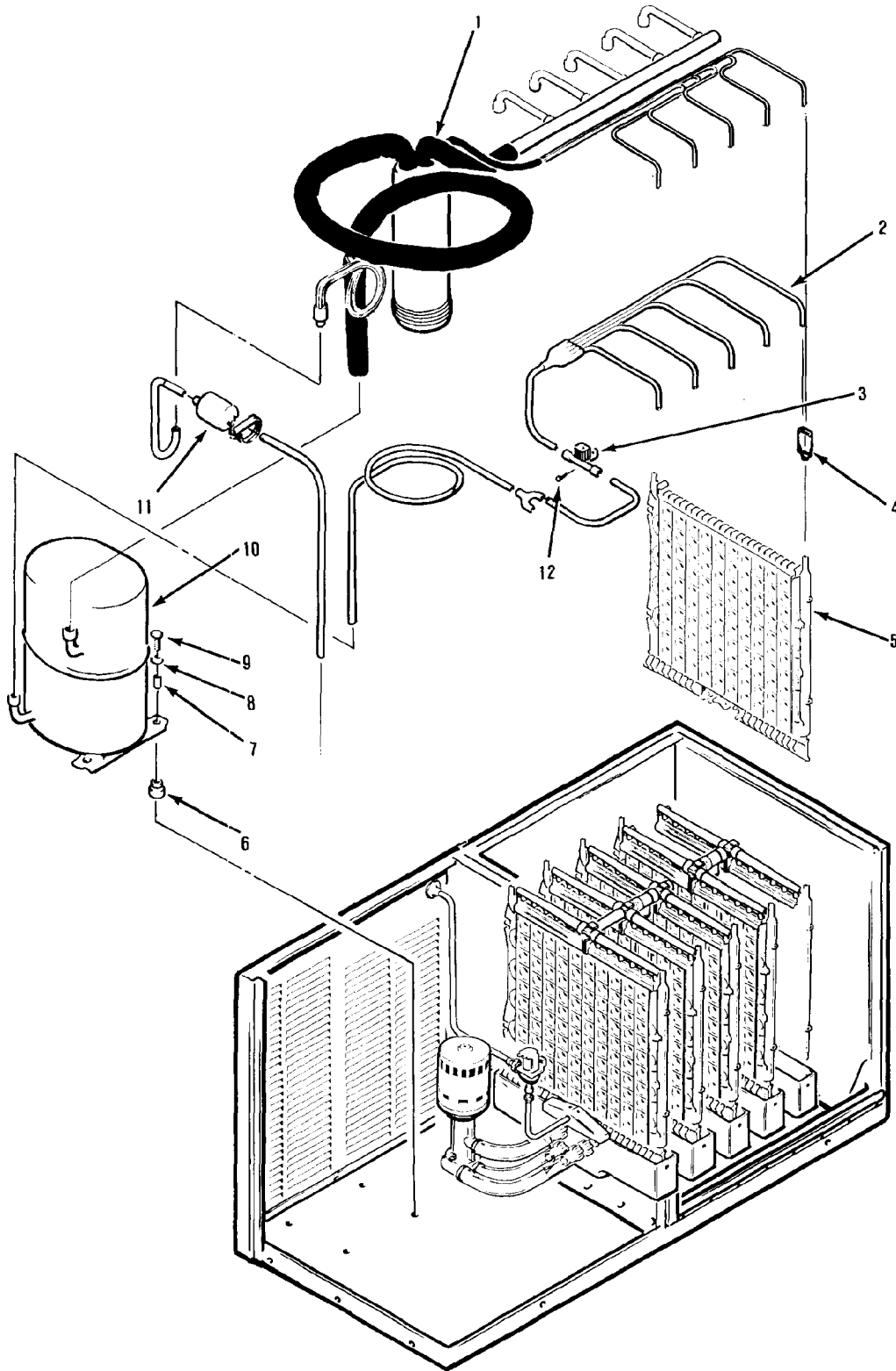
### REFRIGERATION COMPONENTS COMMON TO AIR-COOLED OR WATER-COOLED MODELS

| ITEM<br>NUMBER | PART<br>NUMBER   | DESCRIPTION              |
|----------------|------------------|--------------------------|
| 1              | A30325-020       | Heat Exchange F/A        |
| 2              | A29260-001       | Hot Gas Tube Assembly    |
| 3              | 12-2146-01       | Hot Gas Valve            |
| 4              | <i>No Number</i> | Evaporator Plate Adaptor |
| 5              | A30296-020       | Evaporator Plates        |
| 6              | 18-5100-51       | Grommet                  |
| 7              | 18-5100-50       | Sleeve                   |
| 8              | 03-1407-07       | Washer                   |
| 9              | 03-1405-20       | Screw 5/16-18 x 1 1/2    |
| 10             | 18-5100-02       | Compressor 208-230/60/1  |
|                | 18-5100-03       | Compressor 230/60/3      |
| 11             | 02-2426-02       | Drier                    |
| 12             | 03-1404-09       | Screw, 8 x 1/2           |

### BH750 BIN (Not Shown)

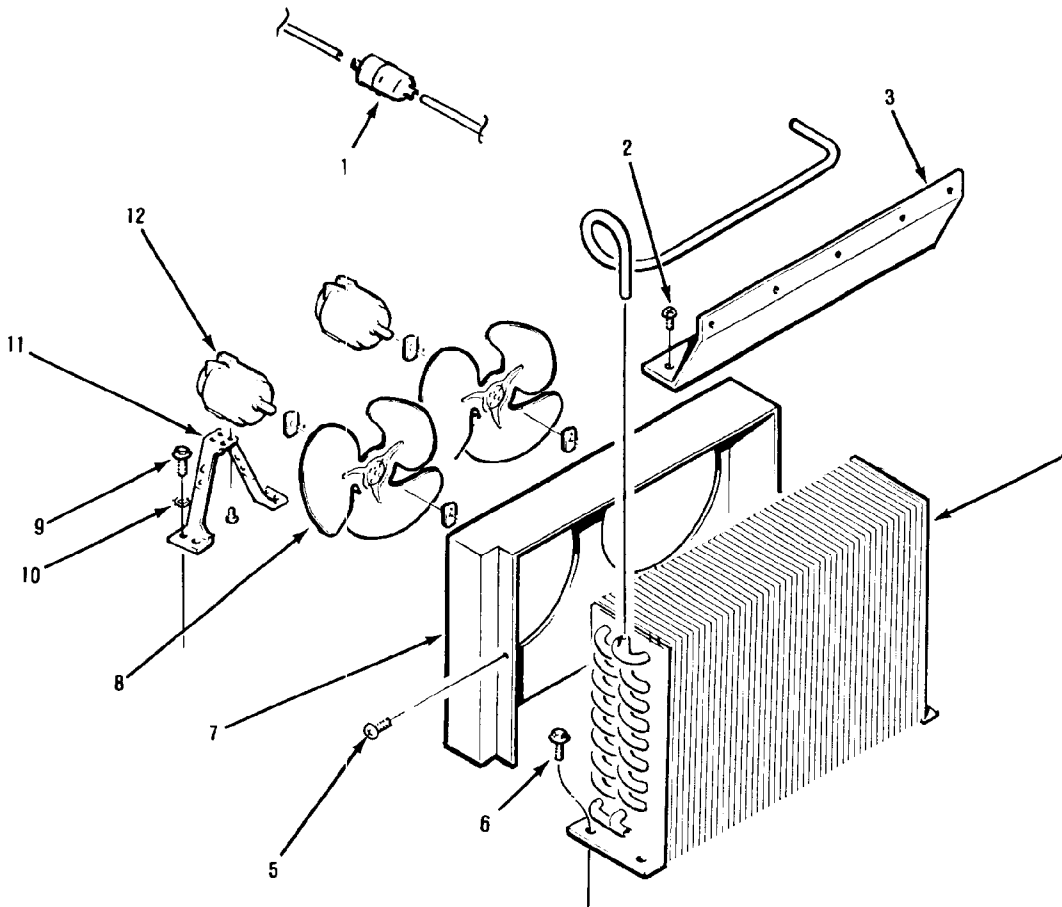
| ITEM<br>NUMBER | PART<br>NUMBER | DESCRIPTION                     |
|----------------|----------------|---------------------------------|
| 1              | A29210-001     | Left Door Hinge                 |
| 2              | A29210-002     | Right Door Hinge                |
| 3              | A29213-001     | Left Bin Hinge                  |
| 4              | A29213-002     | Right Bin Hinge                 |
| 5              | A29216-001     | Door                            |
| 6              | A29407-001     | Door Frame                      |
| 7              | 02-2380-01     | Hinge Bushing                   |
| 8              | 02-2380-02     | Spacer                          |
| 9              | 02-2806-01     | Shoulder Screw                  |
| 10             | 03-1539-09     | E Ring                          |
| 11             | KLP2           | Enamel Legs (Set of 4)          |
| 12             | KLP2S          | Stainless Steel Legs (Set of 4) |

# CM1200C THE PARTS ILLUSTRATIONS AND PARTS LISTS



# CM1200C

## THE PARTS ILLUSTRATIONS AND PARTS LISTS

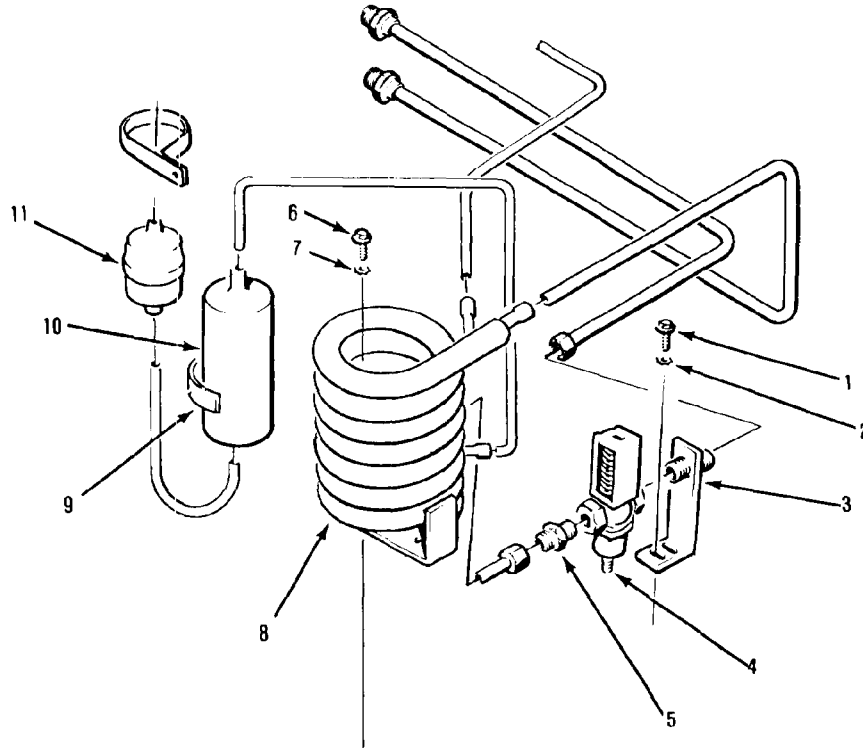


### AIR-COOLED ASSEMBLIES

| ITEM<br>NUMBER | PART<br>NUMBER | DESCRIPTION            |
|----------------|----------------|------------------------|
| 1              | 02-2426-02     | Drier                  |
| 2              | 03-1404-09     | (5) Screw No. 8 x 1/2  |
| 3              | A29240-001     | Shroud Extension       |
| 4              | 18-3311-01     | Condenser              |
| 5              | 03-1404-09     | (8) Screw No. 8 x 1/2  |
| 6              | 03-0571-00     | Screw 1/4-20 x 1/2     |
| 7              | A29182-001     | Shroud                 |
| 8              | 18-3732-01     | Fan Blade              |
| 9              | 03-0571-00     | (8) Screw 1/4-20 x 1/2 |
| 10             | 03-1417-08     | Washer                 |
| 11             | 18-0597-00     | Fan Mounting Bracket   |
| 12             | 18-5105-02     | Fan Motor              |

# CM1200C

## THE PARTS ILLUSTRATIONS AND PARTS LISTS



### WATER-COOLED ASSEMBLIES

| ITEM NUMBER | PART NUMBER | DESCRIPTION              |
|-------------|-------------|--------------------------|
| 1           | 03-0571-00  | Screw 1/4-20 x 1/2       |
| 2           | 03-1417-08  | Washer                   |
| 3           | A15924-000  | Bracket, Water Regulator |
| 4           | 11-0198-02  | Water Regulator          |
| 5           | 16-0253-00  | Fitting                  |
| 6           | 03-0571-00  | Screw 1/4-20 x 1/2       |
| 7           | 03-1417-08  | Washer                   |
| 8           | 18-3306-03  | Condenser                |
| 9           | 02-0706-09  | Clamp                    |
| 10          | 02-2628-01  | Receiver                 |
| 11          | 02-2426-02  | Drier                    |



# CM1200C

## THE PARTS ILLUSTRATIONS AND PARTS LISTS

### WATER SYSTEM

| ITEM NUMBER | PART NUMBER | DESCRIPTION              |
|-------------|-------------|--------------------------|
| 1           | 02-2521-01  | Manifold Water (Long)    |
| 2           | 02-2519-01  | Tee                      |
| 3           | A29703-001  | Manifold Water (Short)   |
| 4           | 02-2527-01  | Tube, Water Distributor  |
| 5           | 02-1358-01  | Clamp                    |
| 6           | A29730-001  | Water Tube Assembly)     |
| 7           | A30761-020  | Sump Assembly            |
| 8           | 02-1530-01  | Clamp                    |
| 9           | 02-1800-01  | Clamp                    |
| 10          | A29746-001  | Pump Bracket             |
| 11          | 13-0571-01  | Screw 1/4-20 x 3/4       |
| 12          | A30751-022  | Water Pump               |
| 13          | 12-1646-05  | Water Valve              |
| 14          | 02-2523-01  | End Cover - Sump         |
| 15          | 02-2520-01  | Sump Cover               |
| 16          | 02-2520-02  | Sump Cover - Center      |
| 17          | A29259-001  | Preformed Tubing         |
| 18          | A30758-002  | Pump Discharge Preformed |
| 19          | A30758-001  | Pump Suction Preformed   |

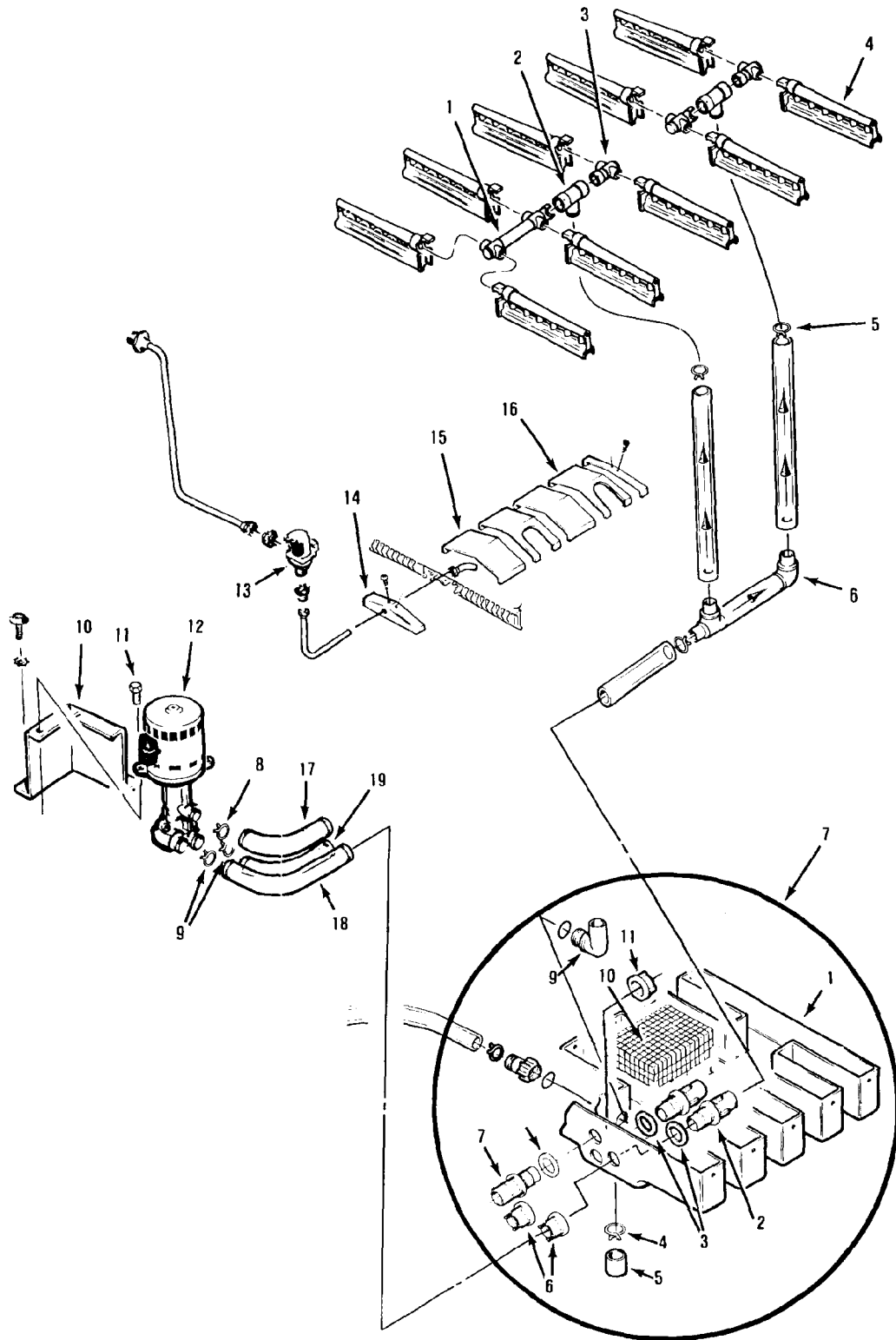


### SUMP ASSEMBLY

| ITEM NUMBER | PART NUMBER | DESCRIPTION              |
|-------------|-------------|--------------------------|
| 1           | A30761-020  | Sump (Complete Assembly) |
| 2           | 02-2787-01  | Tube - Pick Up           |
| 3           | 03-1409-23  | Washer - Rubber          |
| 4           | 02-1530-01  | Clamp                    |
| 5           | 13-0796-01  | Rubber Cap               |
| 6           | 02-2786-01  | Tube - Inlet             |
| 7           | 02-2788-01  | Nut - Water Inlet        |
| 8           | 13-0617-02  | "O" Ring                 |
| 9           | 02-2125-01  | Elbow                    |
| 10          | A30760-001  | Screen                   |
| 11          | 02-1800-01  | Hose Clamp               |

# CM1200C

## THE PARTS ILLUSTRATIONS AND PARTS LISTS



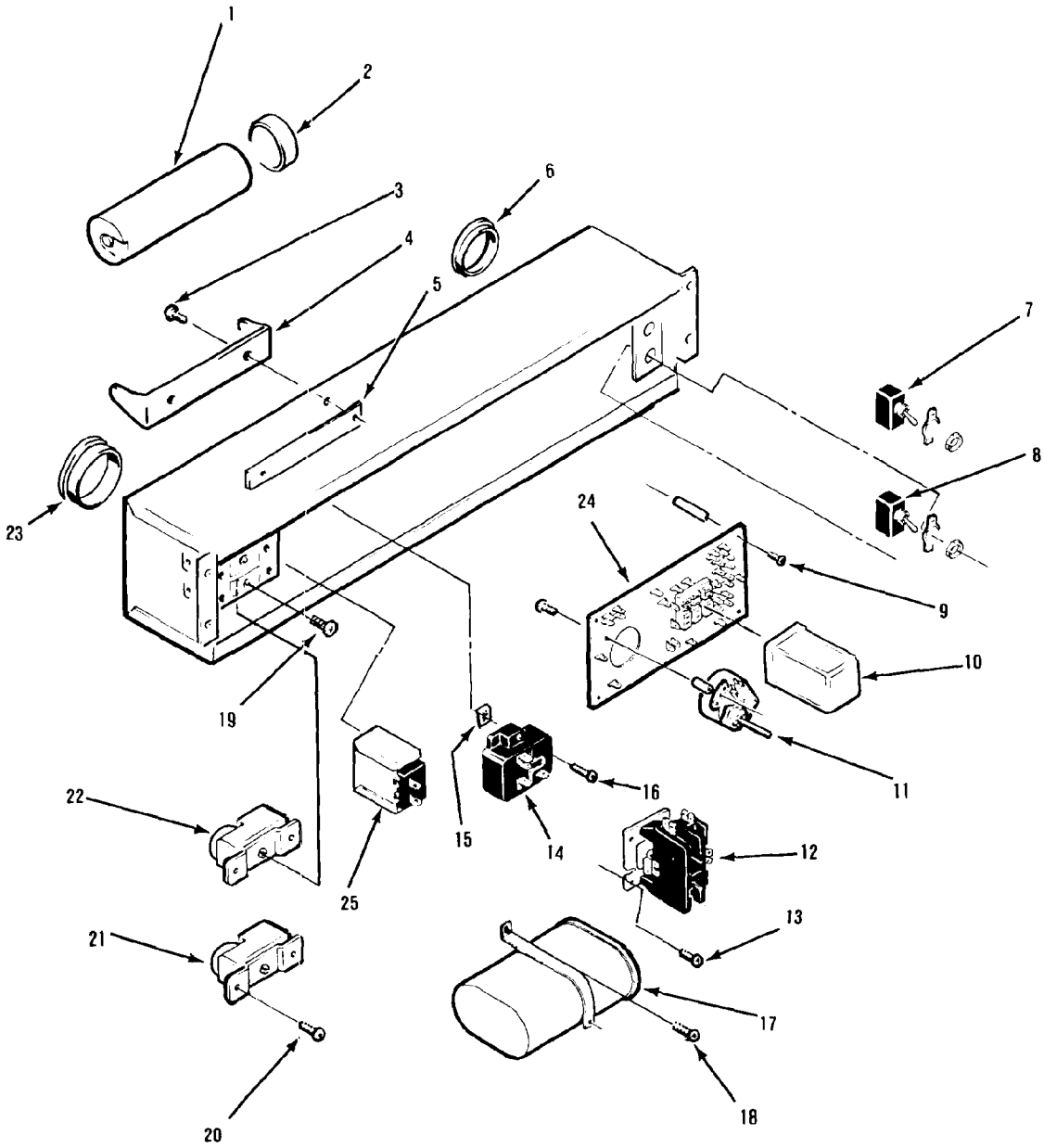
# CM1200C

## THE PARTS ILLUSTRATIONS AND PARTS LISTS

### CONTROL BOX ASSEMBLY

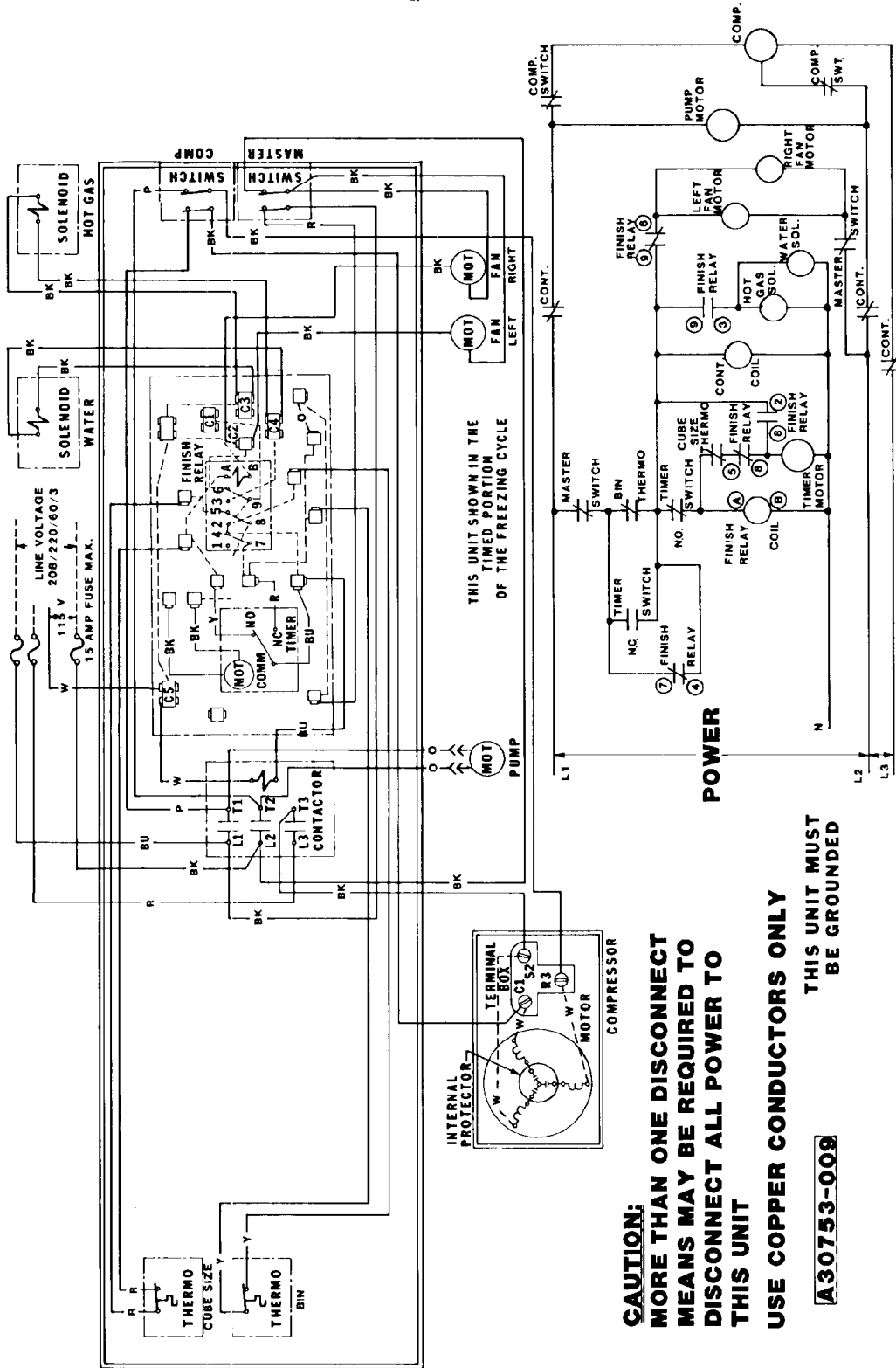
| ITEM<br>NUMBER | PART<br>NUMBER | DESCRIPTION                      |
|----------------|----------------|----------------------------------|
| 1              | 18-1901-40     | Start Capacitor                  |
| 2              | 18-3850-33     | Cap Capacitor                    |
| 3              | 03-1419-06     | Screw                            |
| 4              | 18-2200-39     | Capacitor Bracket                |
| 5              | 03-1103-00     | Twin Speed Nut                   |
| 6              | 12-1213-13     | Snap Bushing                     |
| 7              | 12-0426-01     | Compressor Switch - Single-Phase |
| 8              | 12-2174-01     | Compressor Switch - Three-Phase  |
| 9              | 12-2174-01     | Master Switch (Air-Cooled)       |
| 10             | 12-0426-01     | Master Switch (Water-Cooled)     |
| 11             | 03-1403-04     | (5) Screw                        |
| 12             | 12-1879-02     | Relay                            |
| 13             | 12-1979-01     | Timer                            |
| 14             | 12-2048-01     | Contactor 208-230/60/1           |
| 15             | 12-0739-01     | Contactor 230/60/3               |
| 16             | 03-1403-17     | (2) Screw                        |
| 17             | 18-1903-40     | Potential Relay                  |
| 18             | 03-1423-01     | Speed Nut                        |
| 19             | 03-1403-04     | Screw                            |
| 20             | 18-1902-51     | Run Capacitor                    |
| 21             | 03-1403-21     | Screw No. 8 - 32 x 3/4           |
| 22             | 03-1403-14     | Screw                            |
| 23             | 03-1403-14     | (2) Screw                        |
| 24             | 11-0351-02     | Cube Size Control                |
| 25             | 11-0419-01     | Bin Thermostat                   |
| 26             | 12-1213-17     | Snap Bushing                     |
| 27             | 12-1912-01     | Circuit Board                    |
| 28             | 11-0388-02     | Pressure Control (Water-Cooled)  |

**CM1200C**  
**THE PARTS ILLUSTRATIONS AND PARTS LISTS**



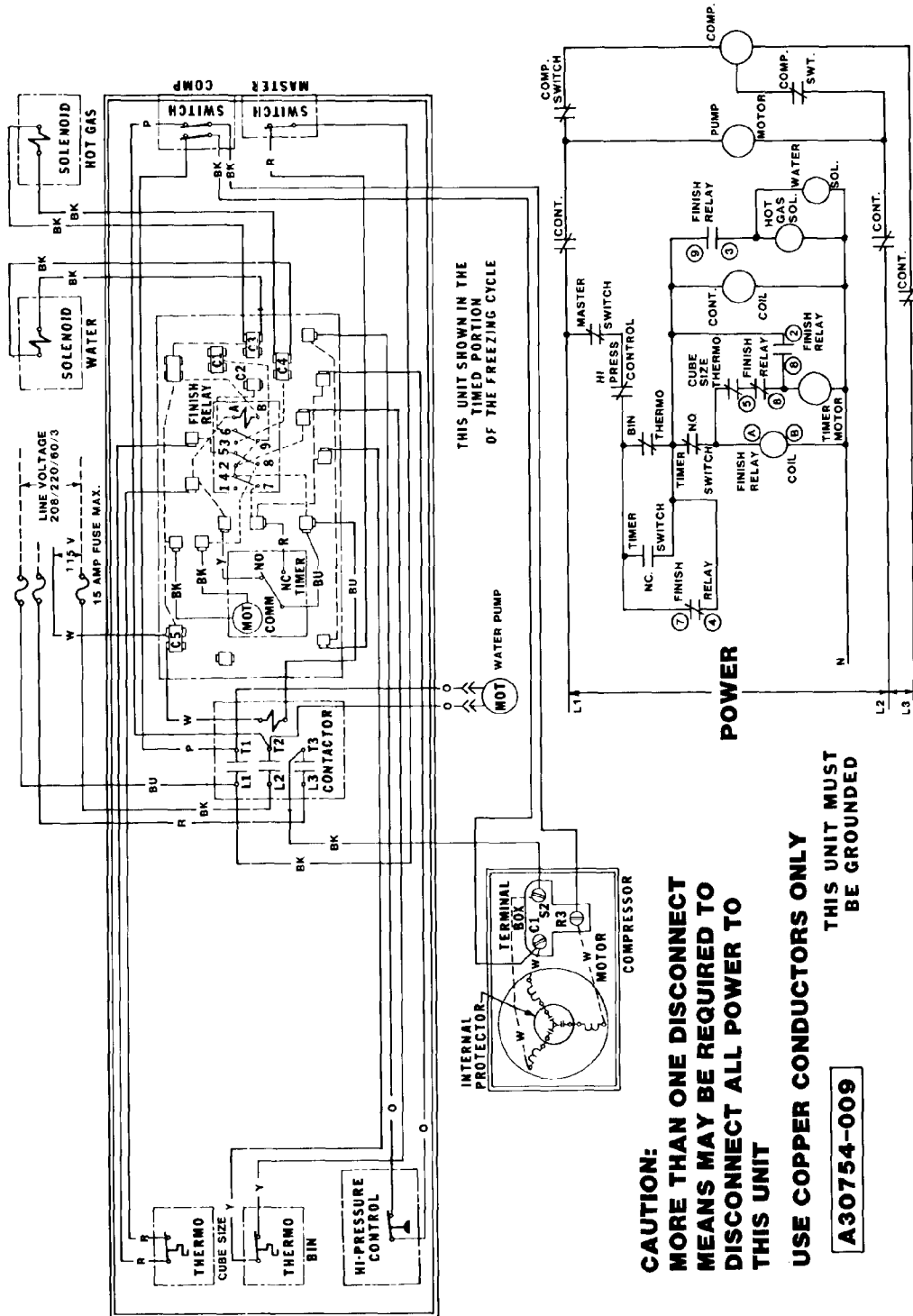
# CM1200C WIRING DIAGRAM

5



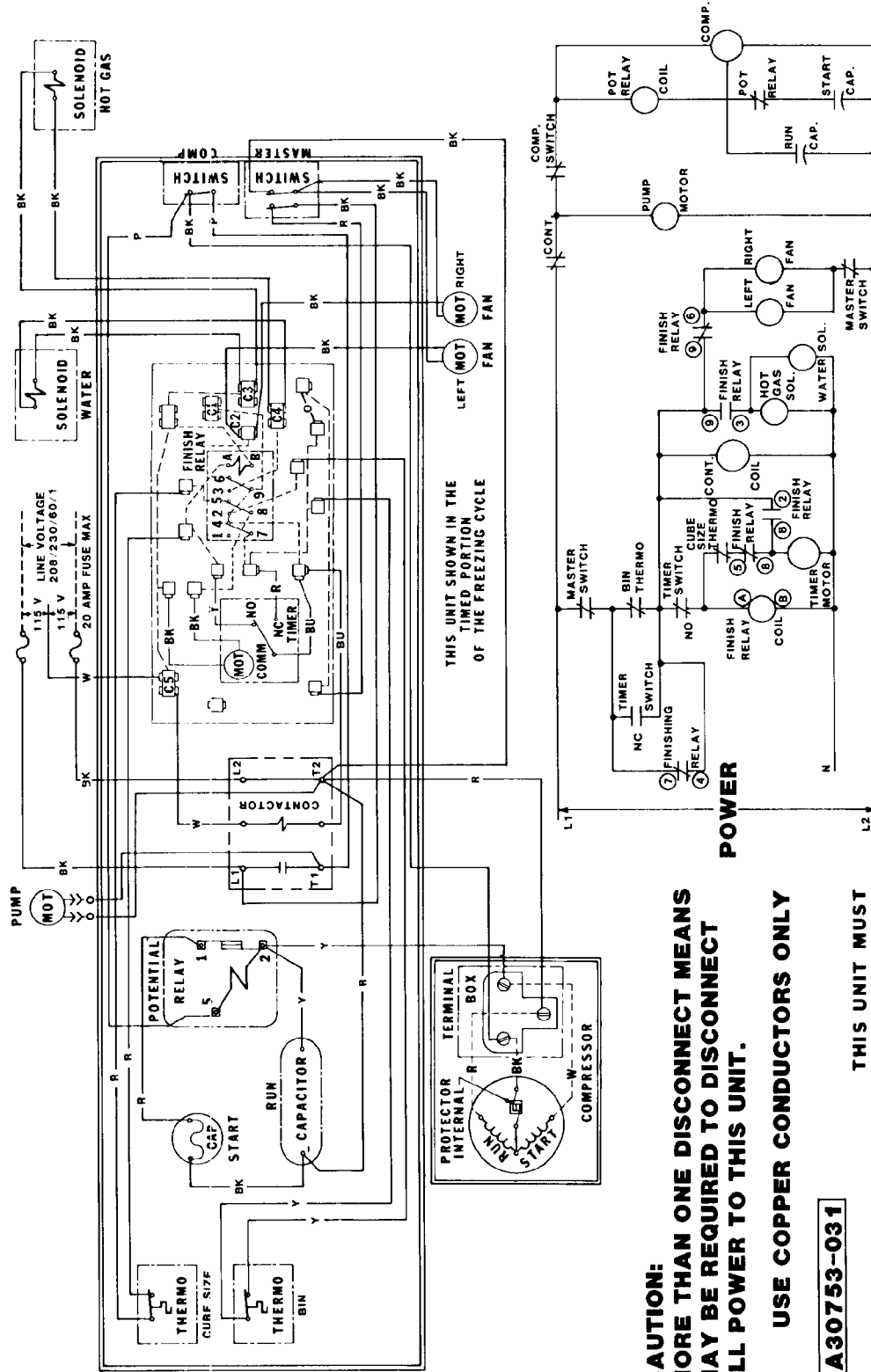
Wiring Diagram CM1200AE-9C Air-Cooled

# CM1200C WIRING DIAGRAM



Wiring Diagram CM1200WE-9C Water-Cooled

# CM1200C WIRING DIAGRAM



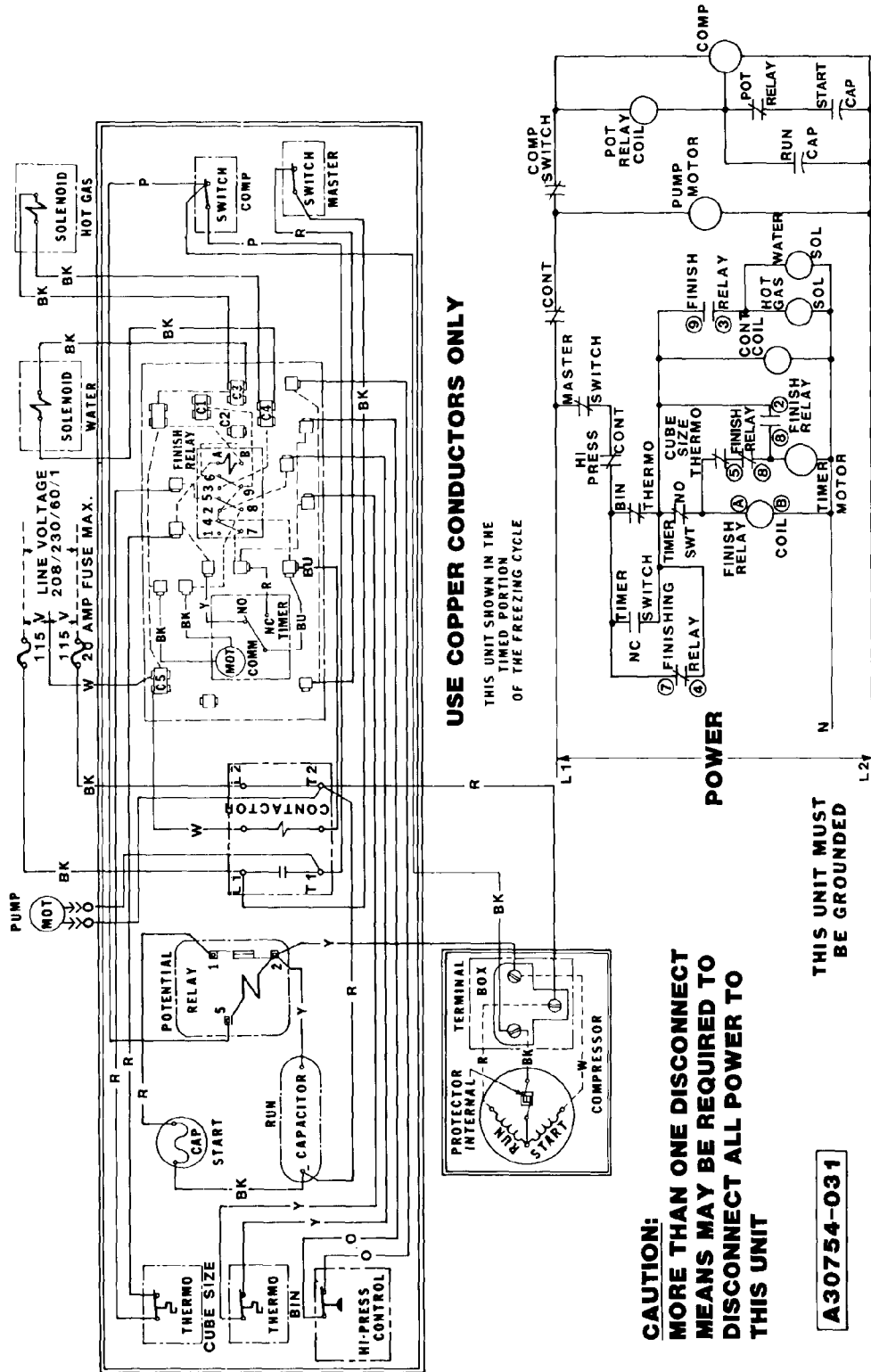
**CAUTION:**  
**MORE THAN ONE DISCONNECT MEANS**  
**MAY BE REQUIRED TO DISCONNECT**  
**ALL POWER TO THIS UNIT.**

**USE COPPER CONDUCTORS ONLY**

**A30753-031**

**THIS UNIT MUST  
 BE GROUNDED**

# CM1200C WIRING DIAGRAM



Wiring Diagram CM1200WE-31C Water-Cooled